

KNX room controller LS TOUCH

GB

Ref.-no.: L .. 459 D 1S .., .. 459 D 1S ..
 L .. Z 459 BF D 1S .., L .. Z .. 459 BF D 1S ..
 LC 459 D 1S ..

Operating instructions

1 Safety instructions



Electrical devices may only be mounted and connected by electrically skilled persons.

Serious injuries, fire or property damage possible. Please read and follow manual fully.

Danger of electric shock. During installation and cable routing, comply with the regulations and standards which apply for SELV circuits.

These instructions are an integral part of the product, and must remain with the end customer.

2 Device components

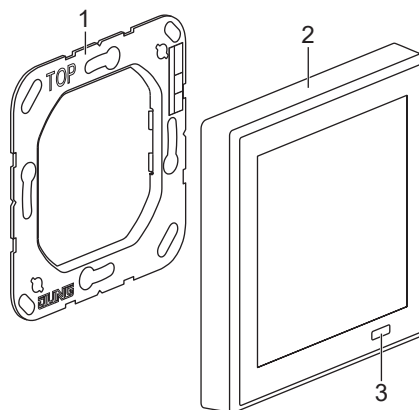


Fig. 1: Device components

- (1) Supporting frame
- (2) LS TOUCH with integrated frame (LS 990)
- (3) Proximity sensor

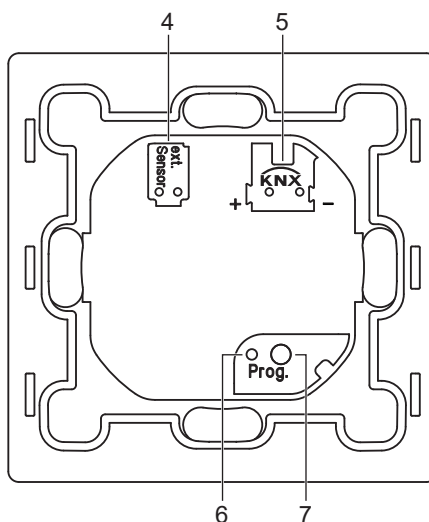


Fig. 2: Device components

- (4) External sensor connection (optional)
- (5) KNX connection
- (6) Prog. LED
- (7) Prog. button

3 Function

System information

The device can be updated. Firmware can be easily updated.

The device is KNX Data Secure capable. KNX Data Secure offers protection against manipulation in building automation and can be configured in the ETS project. Detailed specialist knowledge is required. A device certificate, which is attached to the device, is required for safe commissioning. During mounting, the certificate must be removed from the device and stored securely.

Planning, installation and commissioning of the device are carried out with the aid of the ETS, version 5.7.4 and above.

Intended use

- Operating electrical loads (light switching, dimming, controlling blinds/shutters etc.)
- Displaying the status of systems and information (e.g. temperature and brightness)
- Measurement and feedback control of the room temperature
- Installation in flush box with dimensions according to DIN 49073

Product characteristics

- Height above surface: 12 mm
- With integrated 1-gang frame of the LS 990 or LS ZERO design range. Not suitable for other design ranges or multiple combinations.
- High-resolution IPS display
- Capacitive touch screen
- Max. 32 KNX operating functions (switching, dimming, controlling blinds, value transmitter, calling up moods, music etc.)
- Integrated room temperature sensor
- Room temperature control with setpoint value specification
- Alarm function (optical and optionally acoustic)
- Max. 8 timer functions depending on time, astronomical clock or random
- Integrated proximity and brightness sensor
- Integrated bus coupling unit
- Connection of installation buttons or reed contacts possible
- Commissioning and support of KNX Data Secure with ETS from version 5.7.4

4 Information for electrically skilled persons

Mounting and electrical connection



DANGER

Electrical shock on contact with live parts in the installation environment.

Electrical shocks can be fatal.

Before working on the device, disconnect the power and cover live parts in the area!

Mounting the supporting frame

- Mount the supporting frame (1) on an appliance box.
Note marking "Top".
Use the box screws included.

Connecting the device

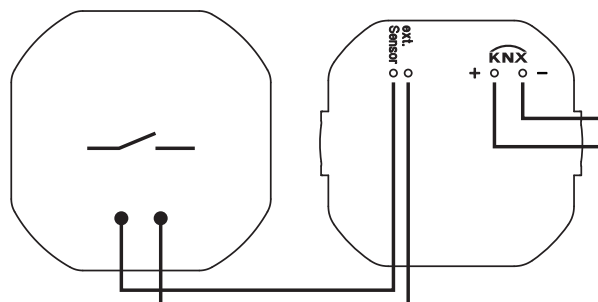


Fig. 3: Connecting the device

- Connect the KNX (5).
- Optionally, connect the external sensor (4).

Connecting the external sensor

Only one of the following sensors can be connected:

- external temperature sensor (art. no.: FF NTC)
- external switching contacts (e.g. installation buttons or reed contacts)
 - Observe the technical data:
 - cable type (J-Y(St)Y 2×2×0.8)
 - permissible cable length max. 25 m)
 - number of external switching contacts (max. 20 in parallel or series connection)

Do not connect any external voltage.

Fitting the device

- Attach the device (2) to the supporting frame.

Dismantling the device

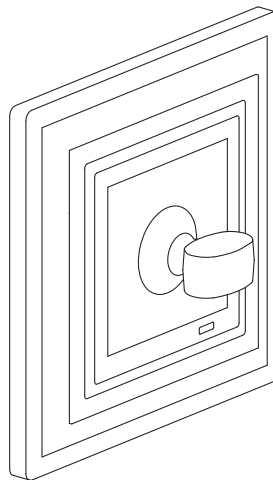


Fig. 4: Dismantling the device

The frame of the device is integrated. The device cannot be removed from the frame.

- Carefully detach the entire device from the supporting frame.
For this purpose, use the suction lifter (art. no.: W-HEBER) included with LS ZERO.

5 Commissioning

Switching on

After connecting, the device is switched on automatically.

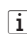
Demo mode

After switching on, the demo mode is displayed if the device has not yet been programmed. In demo mode, communication with the KNX system is not possible.

KNX Data Secure

Requirements:

- Safe commissioning activated
- FDSK entered/scanned or device certificate added

 Document all passwords and store them securely.

LED display

Prog. LED (6) lights up red:
Programming mode is activated.

Programming mode

Program device:

- Press the Prog. button (7).
Alternatively, activate the programming mode in the “Settings” menu:
Main menu → Settings → KNX programming mode
Prog. LED lights up red.
- Load physical address into the device.
Programming mode is terminated.
Prog. LED goes out.

6 Configuration

The device is configured via parameters in the ETS product database.

You can find detailed information about the configuration or parameterisation of the device in the product documentation. The product documentation can be downloaded from our website.

7 Operation

Touch sensitive surface

Touch the screen surface with your finger only. Do not operate the touch screen with sharp or pointed objects.

Menu structure

Screen saver → Favourites

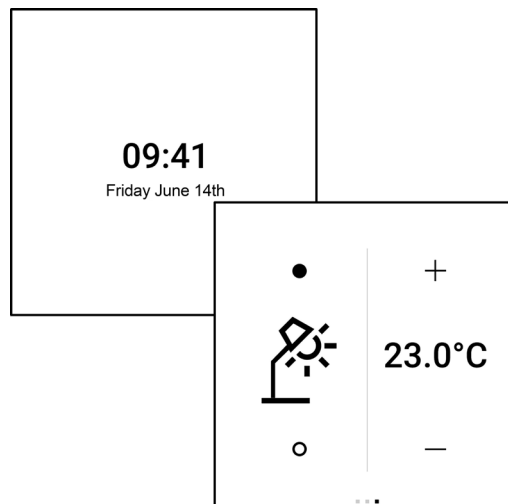


Fig. 5: Menu structure

Main menu → Area → Function

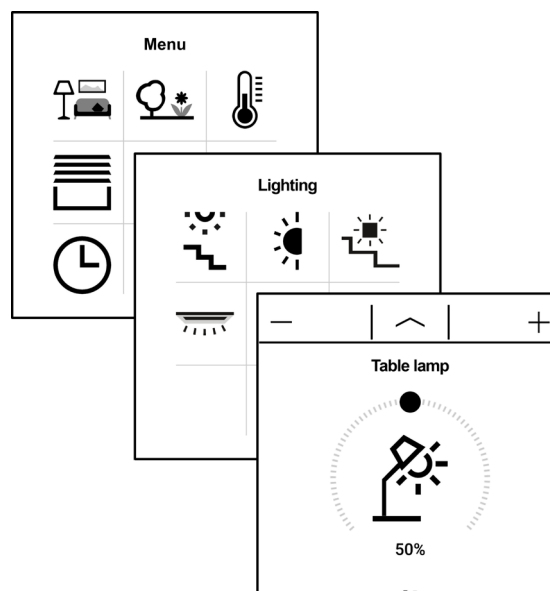


Fig. 6: Menu structure

Screen saver

The screen saver is automatically hidden when the proximity sensor is activated. After hiding, the favourites are displayed.

If there is no activity, the screen saver is automatically displayed again.

Displaying menus

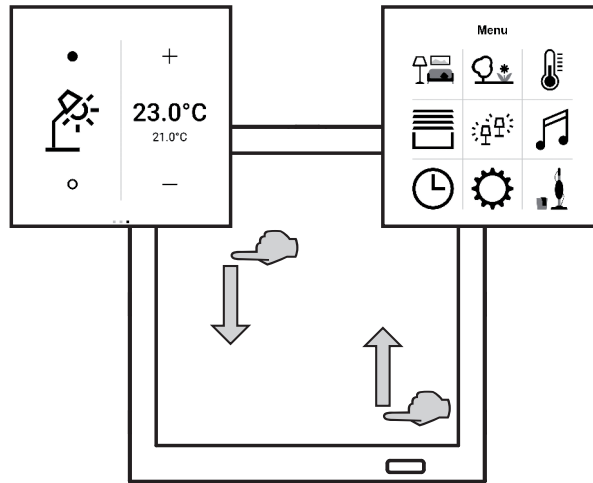


Fig. 7: Displaying menus

Favourites:

- Perform a swiping motion from top to bottom.

Main menu:

- Perform a swiping motion from bottom to top.

i The favourites and the main menu can be displayed directly from all menus.

Displaying area

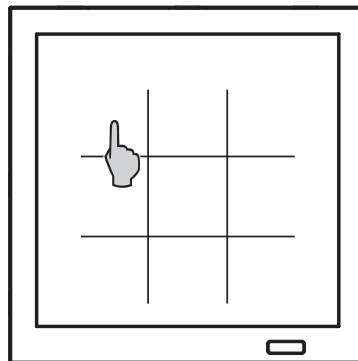


Fig. 8: Displaying area/function

- Select area icon (fig. 8) in the main menu.

Displaying function

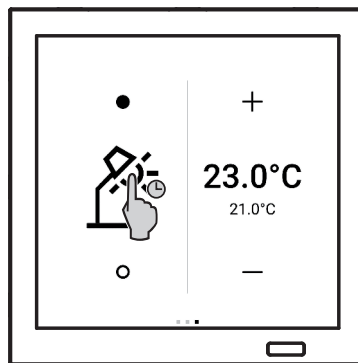


Fig. 9: Displaying function

- Select function icon (fig. 8) in the respective area or tap and hold it in the favourites (fig. 9).

Scrolling through pages

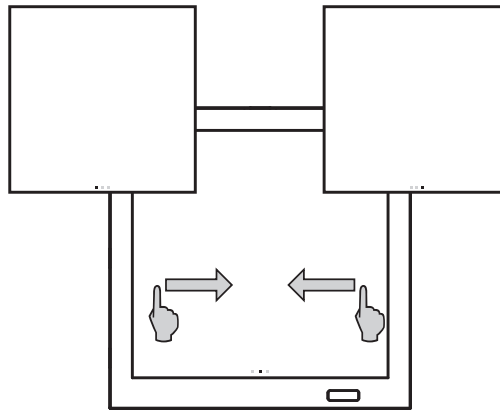


Fig. 10: Scrolling through pages

- Perform a swiping motion to the left or right. Alternatively, tap on the squares.

Adjusting functions

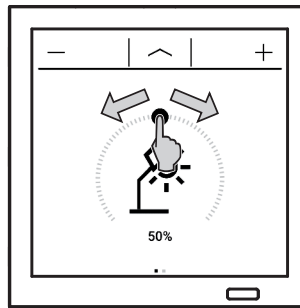


Fig. 11: Adjusting functions

The adjustment options for the functions depend on the function type.

Example:

Adjusting the brightness/dimming the light:

- Adjust the brightness using the slider or the plus/minus sign.

More information on how to operate the device can be found in the tutorials on our website.

8 Technical data

Screen diagonal	86 mm/3.4"
KNX	
KNX Medium	TP256
Security	X mode
Commissioning mode	S mode
Rated voltage	DC 21 ... 32 V SELV
Current consumption KNX	60 mA
KNX connection	connection terminal
Connection cable KNX	EIB-Y (St)Y 2×2×0.8
Protection class	III
Connecting external switching contacts	
Number	max. 20
Cable type	J-Y(St)Y 2×2×0.8
Cable length	max. 25 m
Ambient conditions	
Ambient temperature	-5 ... +45 °C
Storage/transport temperature	-25 ... +70 °C
Relative humidity	30 % ... 70 %

9 Warranty

The warranty follows about the specialty store in between the legal framework as provided for by law.