

USB data interface
Art. No. : 2131USBSREG
USB data interface
Art. No. : 2131USBS

Operating instructions

1 Safety instructions



Electrical devices may only be mounted and connected by electrically skilled persons.

Serious injuries, fire or property damage possible. Please read and follow manual fully. These instructions are an integral part of the product, and must remain with the end customer.

2 Function

System information

This device is a product of the KNX system and complies with the KNX directives. Detailed technical knowledge obtained in KNX training courses is a prerequisite to proper understanding.

Intended use

- Connecting PCs to KNX systems
- Addressing, programming and diagnostics of KNX devices
- Compatible with KNX Data-Secure products
- Support of long frames for ETS5
- UP device: Mounting in appliance box according to DIN 49073
- RMD device: Installation in small distributor board on DIN rail according to DIN EN 60715

Product characteristics

- Connection with device connection terminal
- Electrical separation of KNX and USB
- Temporary operation in unmounted condition permissible
- The firmware in the USB data interface can be updated via the ETS product database
- Power supply exclusively via the USB port

i Without a PC or USB hub connected, the device cannot be found via the bus.

3 Information for electrically skilled persons



**Mortal danger of electric shock.
Cover up live parts in the installation environment.**

Mounting and connecting the RMD device

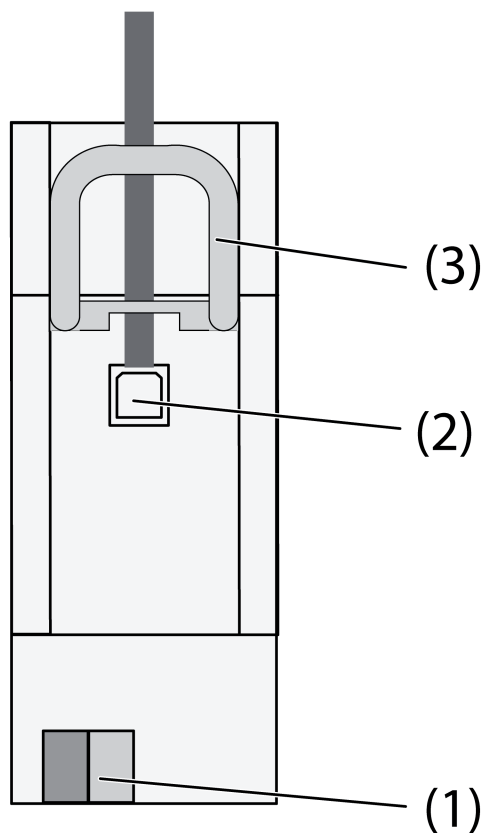


Figure 1

- (1) KNX connection
- (2) USB connection
- (3) Slide

i The slide fixes the USB cable in place and ensures that the required installation height in the distributor is maintained.

- Mount device on DIN rail with the terminals facing downwards.
- Connect bus line with device connection terminal (1).

Optionally connect the USB line permanently:

- Unlock the slide (3) by pulling the end of the bow forwards. Pull out slide.
- Insert the USB cable into the socket (2).
- Re-insert slide (3) until it engages noticeably.

Mounting and connecting UP device

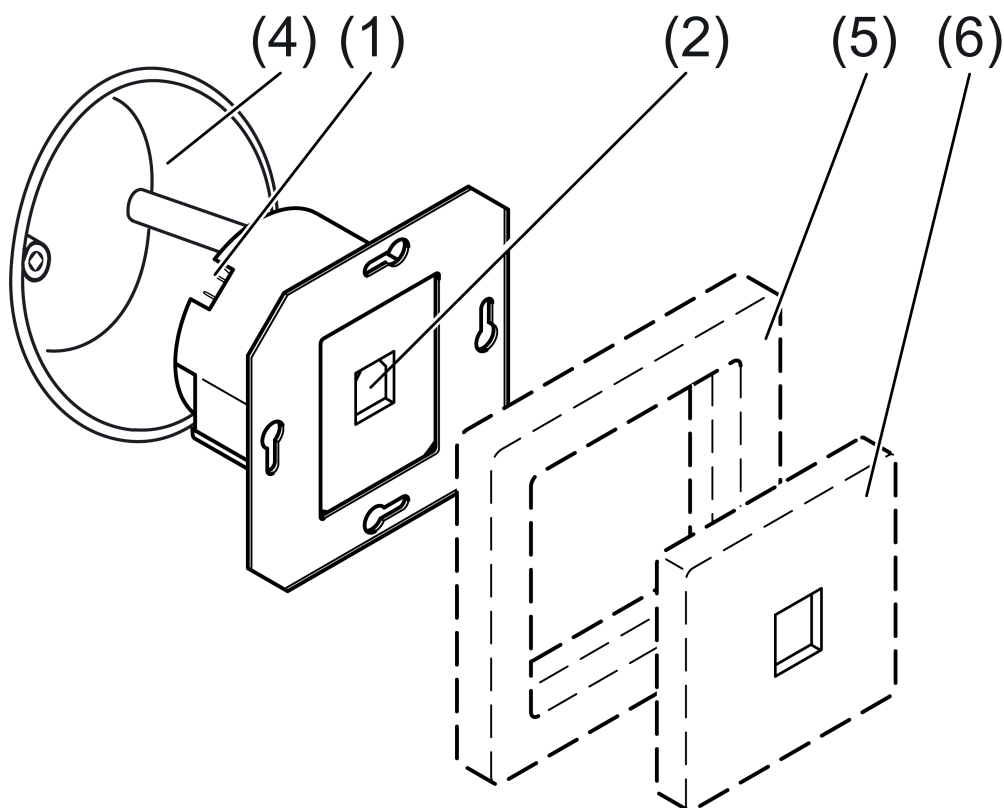


Figure 2

- (1) KNX connection
- (2) USB connection
- (4) Appliance box
- (5) Frame (accessories)
- (6) TAE cover (accessories)

Mounting in flush-mounted or surface appliance box

- Connect bus line with device connection terminal (2).
- Mount the device in the appliance box (4).
- Fit the frame (5) onto the appliance box.
- Mount the TAE cover (6).

Programming the physical address

The USB data interfaces are exclusively programmed locally with the physical address via a connected PC and therefore do not have a programming button or programming LED. The physical address must match the KNX line to which it is connected.

- Connect PC with the device.
- Program the physical address.
- Write the physical address on the device label.

4 Technical data

KNX
 Rated voltage KNX
 KNX medium
 Protection class

DC 21 ... 32 V SELV
 TP 256

II

USB data interface

Ambient temperature	-5 ... +45 °C
Storage/transport temperature	-25 ... +70 °C
Fitting width	
Art. No. 2131USBSREG	36 mm / 2 modules
Art. No. 2131USBS	—
USB	
USB connection	Type B
USB-Version	2.0
Cable length	max. 5 m

5 Accessories

Centre plate	Art. No. ..569..
--------------	------------------

6 Warranty

The warranty follows about the specialty store in between the legal framework as provided for by law.

ALBRECHT JUNG GMBH & CO. KG

Volmestraße 1
58579 Schalksmühle
GERMANY

Telefon: +49 2355 806-0
Telefax: +49 2355 806-204
kundencenter@jung.de
www.jung.de