

Smart Control 5

Ref.-no.: SC 5 SW

Operating instructions

1 Safety instructions



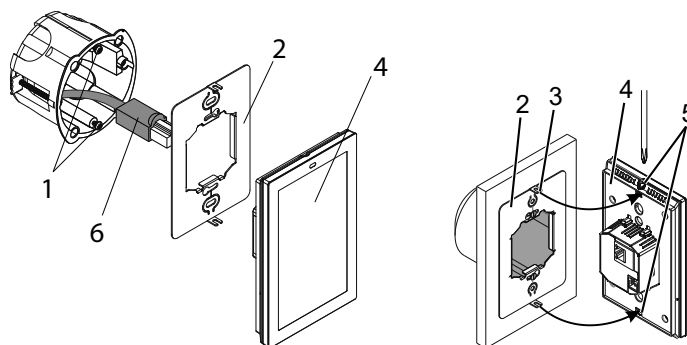
Electrical devices may only be mounted and connected by electrically skilled persons.

Serious injuries, fire or property damage possible. Please read and follow manual fully.

Danger of electric shock. Always disconnect before carrying out work on the device or load.

These instructions are an integral part of the product, and must remain with the end customer.

2 Structure of the device



Figures 1 and 2: Structure of the device

- (1) Mounting screws
- (2) Supporting frame
- (3) Mounting hooks
- (4) Smart Control
- (5) Locking screws
- (6) LAN/PoE

3 Function

Intended purpose

- Visualisation and operation of system statuses and information on building automation
- Installation vertical
- Installation in appliance box according to DIN 49073

Product characteristics

- KNX visualisation in combination with Visu Pro Server (ref.-no.: JVP-SERVER-H2, JVP-SENEC-H2)
- KNX visualization in combination with Smart Visu Server (ref.-no.: SV-SERVER-INT)
- eNet visualisation in combination with eNet server (ref.-no.: ENET-SERVER) with software version 2.2 or higher
- Door call function only in combination with Siedle Smart Gateway SG 650-.. or SG 150-..
- High performance HD screen
- Proximity sensor
- Graphical user interface
- Ambient light sensor
- Smart Gateway with integrated image storage

4 Information for electrically skilled persons

Installation and electrical connection

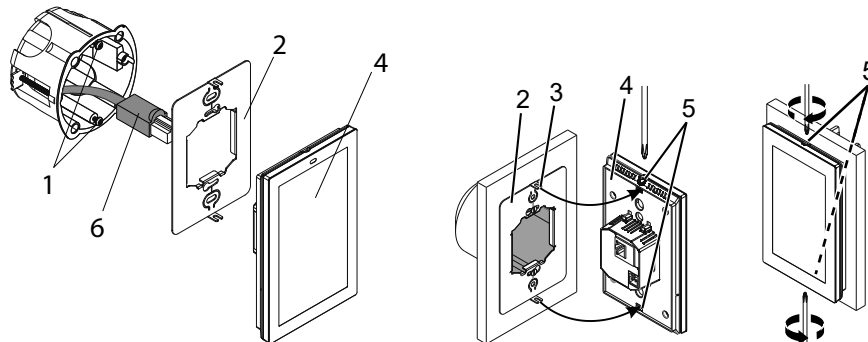


DANGER

Electric shock from touching live parts in the installation environment.

An electric shock can be fatal.

Before working on the device, disconnect the power and cover live parts in the area.



Figures 1 to 3: Installation and electrical connection

Ensure correct orientation when installing the appliance box. Mounting screws (1) must be in vertical alignment.

- Mount supporting frame (2) in vertical orientation on the appliance box, mounting hooks (3) in front.
- Release locking screws (5).
- Connect LAN (PoE).
- Connect optional power supply.
- Place Smart Control (4) flush on supporting frame.
- Adapt mounting hooks carefully in the provided notches in Smart Control.
- Tighten locking screws (fig. 3).

5 Operation

Sidebar – Menu overview

- Door Communication (app)
- eNet Smart Home (app)
- JUNG Visu Pro Server (app)
- JUNG Smart Visu Server (app)
- Settings
 - Network Configuration
 - General Settings
 - Password Protection
 - Application Menu
 - System Update

Selecting the default application

After connecting the device an app overview for selecting the default application is shown.

- Select default application and confirm with “Save”.
Application will start automatically after interruption of power supply, firmware updates or Siedle door call function.

Opening the sidebar

- Swipe from the right side of the touchscreen to the middle of it.
Sidebar opens.

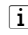
Starting an app manually

Requirement: App visible in the sidebar

- Select app in the sidebar.
App starts.

Changing the default application

- Select menu "Settings" in the sidebar.
- Select submenu "Application Menu".
App overview is shown.
- Select default application and confirm with "Save".
Default application is changed.

 The visibility of apps can be changed with the eye symbol.

Changing the screen saver

- Select menu "Settings" in the sidebar.
- Select submenu "General Settings".
- Select submenu "Display".
- Select "Daydream".
Available screen savers are shown.
- Select screen saver and configure it, if necessary.
Screen saver is changed.

 The time to the sleep of the display can be set in the app bar at the top.

Updating the firmware

Requirement: Internet connection

- Select menu "Settings" in the sidebar.
- Select submenu "System Update".
Firmware is updating.

6 Technical data

Rated voltage	DC 24 V SELV
Rated power	< 1,5 W
Screen diagonal	127 mm / 5"
Resolution	720 x 1280
Frame dimensions (W x H)	81 x 132 mm
Power supply	PoE (Power over Ethernet) acc. to IEEE 802.3af or DC 24 V via external power supply (not included)
Processor	Cortex-A53
Ambient temperature	0 ... +30 °C

7 Accessories

Power supply	
flush-mounted	NT 2405 VDC
for rail mounting	NT 2415 REG VDC

8 Warranty

The warranty follows about the specialty store in between the legal framework as provided for by law.