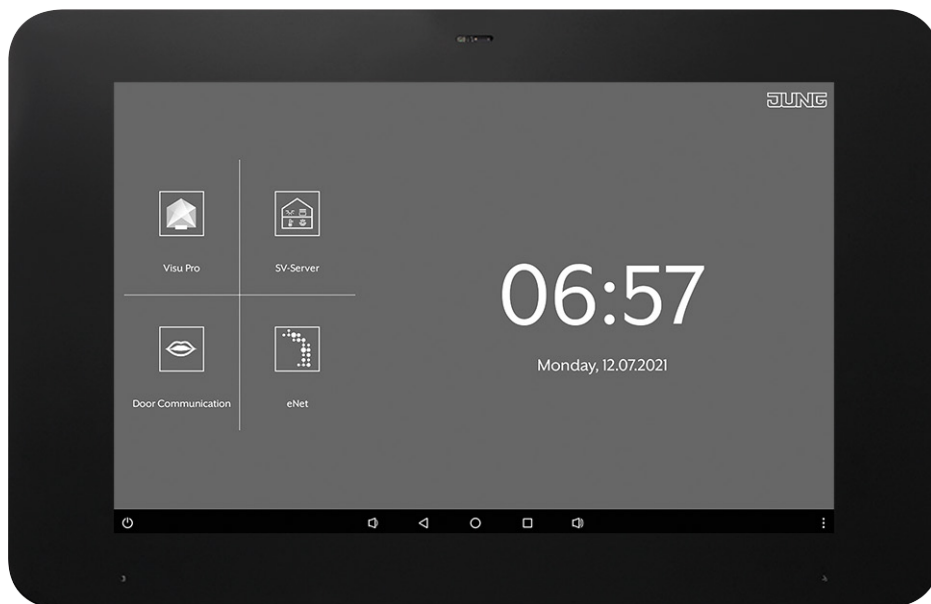


Product documentation



Smart Control 8

Art. no.: SC 0081 U

ALBRECHT JUNG GMBH & CO. KG
Volmestraße 1
58579 Schalksmühle
GERMANY
Tel. +49 2355 806-0
Fax +49 2355 806-204
kundencenter@jung.de
www.jung.de

Table of contents

1	Safety instructions and device components	3
1.1	Safety instructions.....	3
1.2	Device components	3
2	Function	3
2.1	Intended use.....	3
2.2	Product characteristics	4
2.3	Included in delivery	4
3	Mounting and electrical connection	4
3.1	Information for electrically skilled persons.....	4
3.2	Mounting in installation box or appliance box.....	4
3.3	Mounting the adapter	5
3.4	Connection	6
3.5	Mounting of Smart Control	7
4	Commissioning	7
4.1	Switching on.....	7
4.2	Settings – Overview of the menu structure.....	7
4.3	Opening the settings	8
4.4	Selecting the language.....	8
4.5	Selecting date and time.....	8
4.6	Changing the system password.....	8
4.7	Updating the firmware	8
5	Operation	9
5.1	Operating elements	9
5.2	Control elements.....	10
5.3	Device settings.....	11
5.4	Operation using apps in the main menu	12
5.5	Apps for building automation	12
5.6	Create app link in the main menu.....	13
5.7	App “System Update“	14
5.7.1	Restoring default settings	14
5.7.2	Updating the firmware without internet connection.....	15
6	Cleaning	16
7	Technical data.....	16
8	Accessories	16
9	Warranty	16

1 Safety instructions and device components

1.1 Safety instructions



Electrical devices may only be mounted and connected by electrically skilled persons.

Serious injuries, fire or property damage possible. Please read and follow manual fully.

Danger of electric shock. During installation and cable routing, comply with the regulations and standards which apply for SELV circuits.

These instructions are an integral part of the product and must remain with the end customer.

1.2 Device components

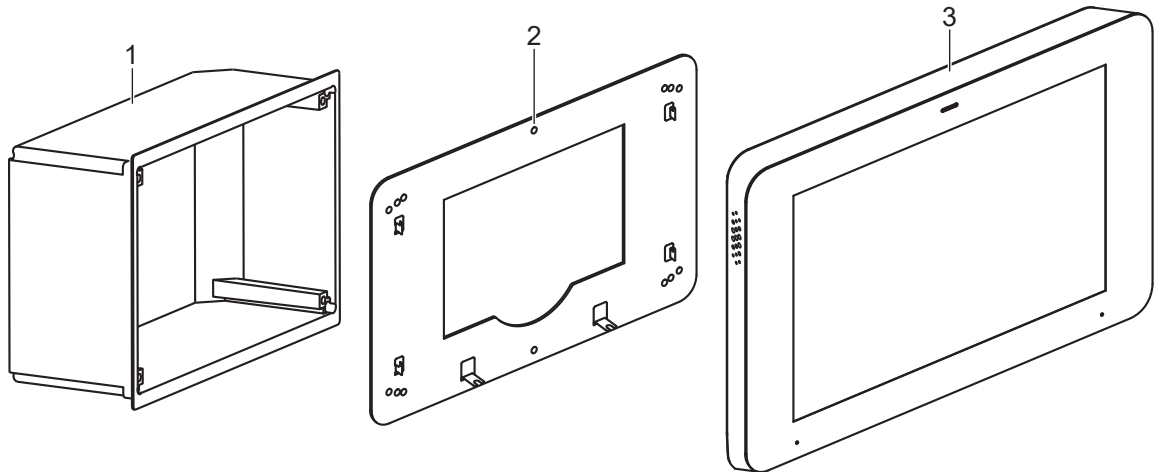


Fig. 1: Device components

- 1 Installation box
- 2 Adapter
- 3 Smart Control

2 Function

2.1 Intended use

- Visualising and operating system statuses and information on building automation
- Mounting horizontally (recommended) or vertically
- Mounting in a flush-mounted installation box (ref.-no. EBG 24 or SC 7 EBG) or on appliance box according to EN 60670-1 (recommendation: at a depth of approx. 60 mm)

2.2 Product characteristics

- High-resolution HD display
- Proximity sensor
- Capacitive touch screen
- Cleaning mode with touch screen lock
- Fanless, without mechanical moving parts
- KNX visualisation in combination with Visu Pro Server (ref.-no.: JVP-SERVER-H2, JVP-SENEC-H2)
- KNX visualisation in combination with Smart Visu Server (ref.-no.: SV-SERVER)
- eNet visualisation in combination with eNet server for rail mounting (ref.-no.: ENET-SERVER) from software version 2.2
- Door intercom function only in combination with Siedle Smart Gateway SG 650-.. or SG 150-..
- Display of up to six IP camera images
- Image memory integrated in Smart Gateway

2.3 Included in delivery

- Smart Control 8
- Smart Control Adapter for wall installation
- Operating instructions

3 Mounting and electrical connection

3.1 Information for electrically skilled persons

**DANGER**

Electrical shock on contact with live parts in the installation environment.

Electrical shocks can be fatal.

Before working on the device, disconnect the power and cover live parts in the area!

3.2 Mounting in installation box or appliance box

The Smart Control is designed for mounting in a flush-mounted installation box (ref. no. EBG 24 or SC 7 EBG). The Smart Control adapter is screwed onto the installation box.

Installation boxes from other manufacturers must match the overall dimensions and holes of the adapter and the Smart Control. (See technical data for overall dimensions)

The installation box must be precisely aligned and mounted flush in the wall.

Alternatively, an appliance box according to EN 60670-1 can be used for mounting the Smart Control. The Smart Control adapter is not mounted directly on the appliance box, but on the wall.

The recommended depth of the appliance box is approx. 60 mm.

3.3 Mounting the adapter

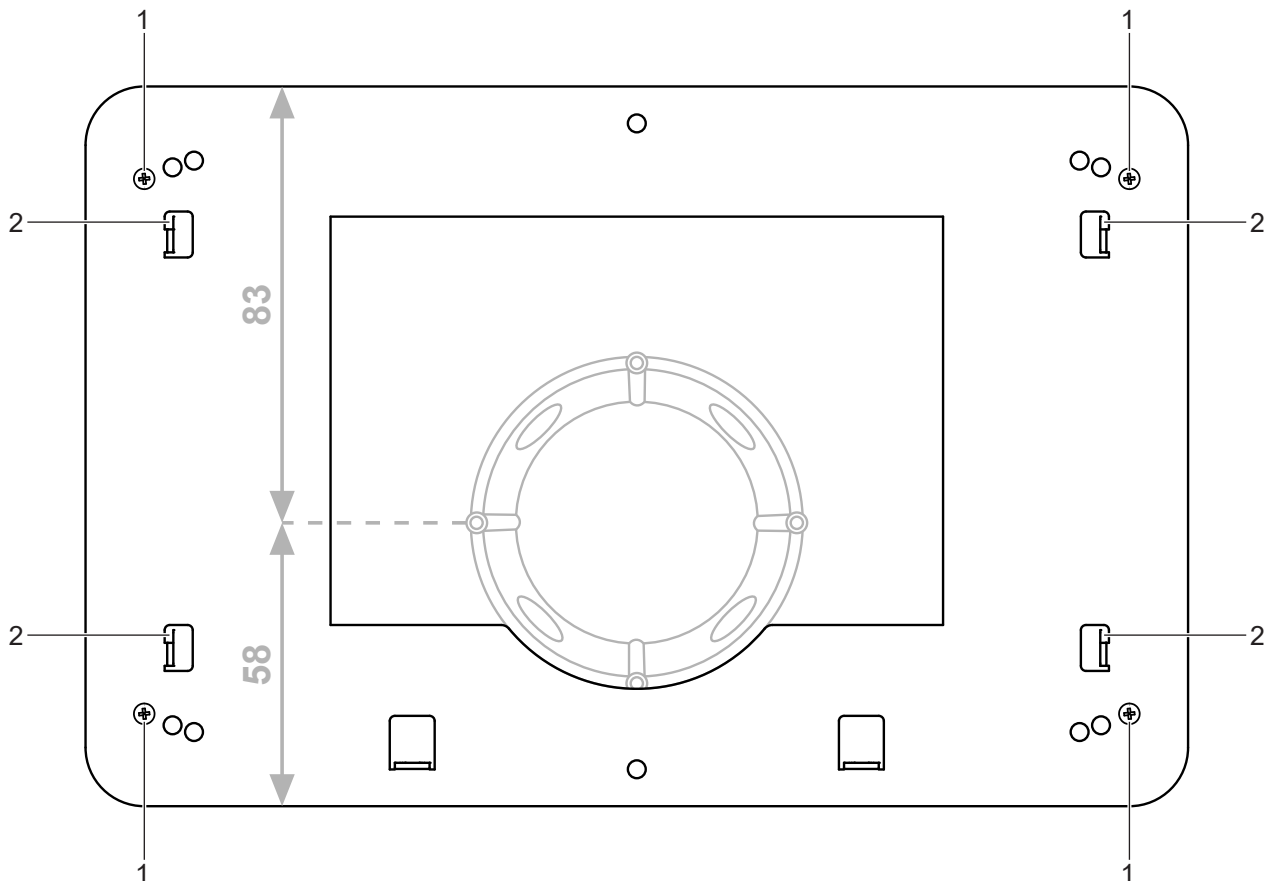


Fig. 2: Mounting the adapter

- 1 Adapter locking screw
- 2 Fixing hooks

- Mount the adapter on the installation box with a total of four locking screws (1). (fig. 2)
When mounting on an appliance box, the adapter must be mounted on the wall. The adapter must be placed in such a way that the appliance box is located in the indentation of the adapter. The appliance box is thus not located vertically in the centre of the adapter, but with a downward offset.

3.4 Connection

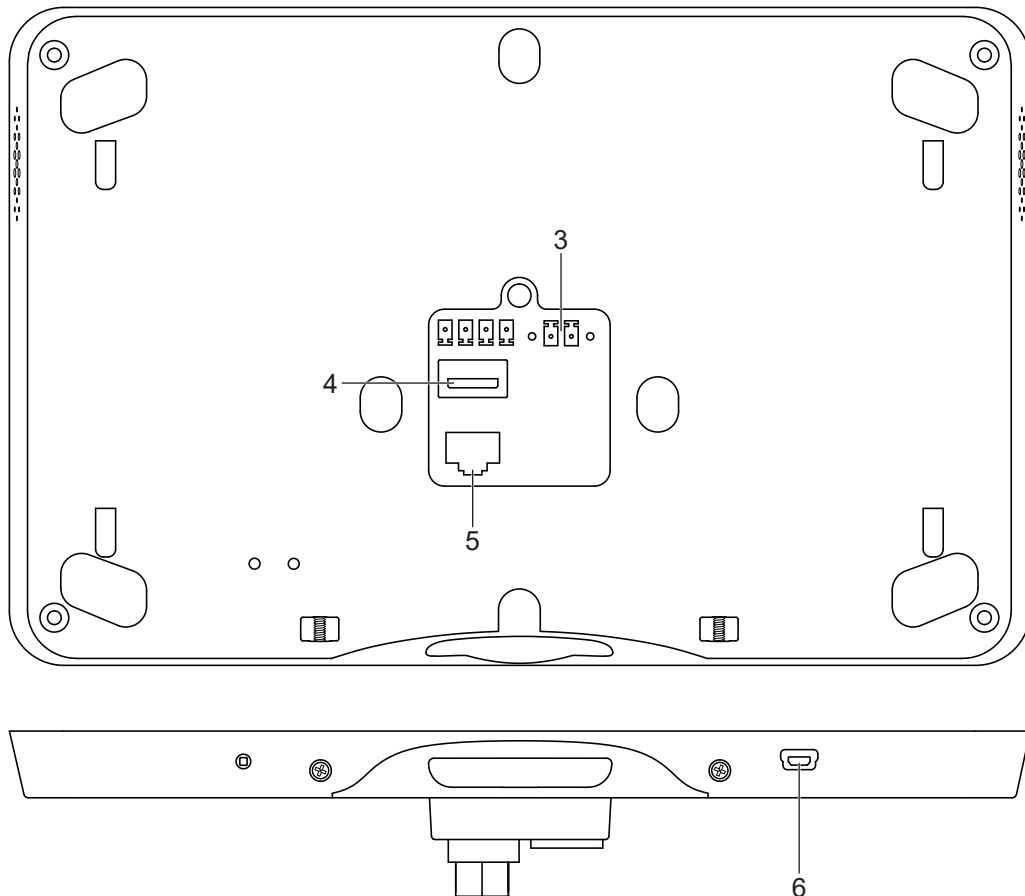


Fig. 3: Connection

3 Power supply	5 LAN/Ethernet
4 USB 2.0 type A	6 Mini-USB OTG

Requirements:

- Ethernet connection (LAN)
- Power supply via power supply adapter, ref. no.: NT 2415 REG VDC

- Connect the power supply (3) and LAN (5). (fig. 3)

3.5 Mounting of Smart Control

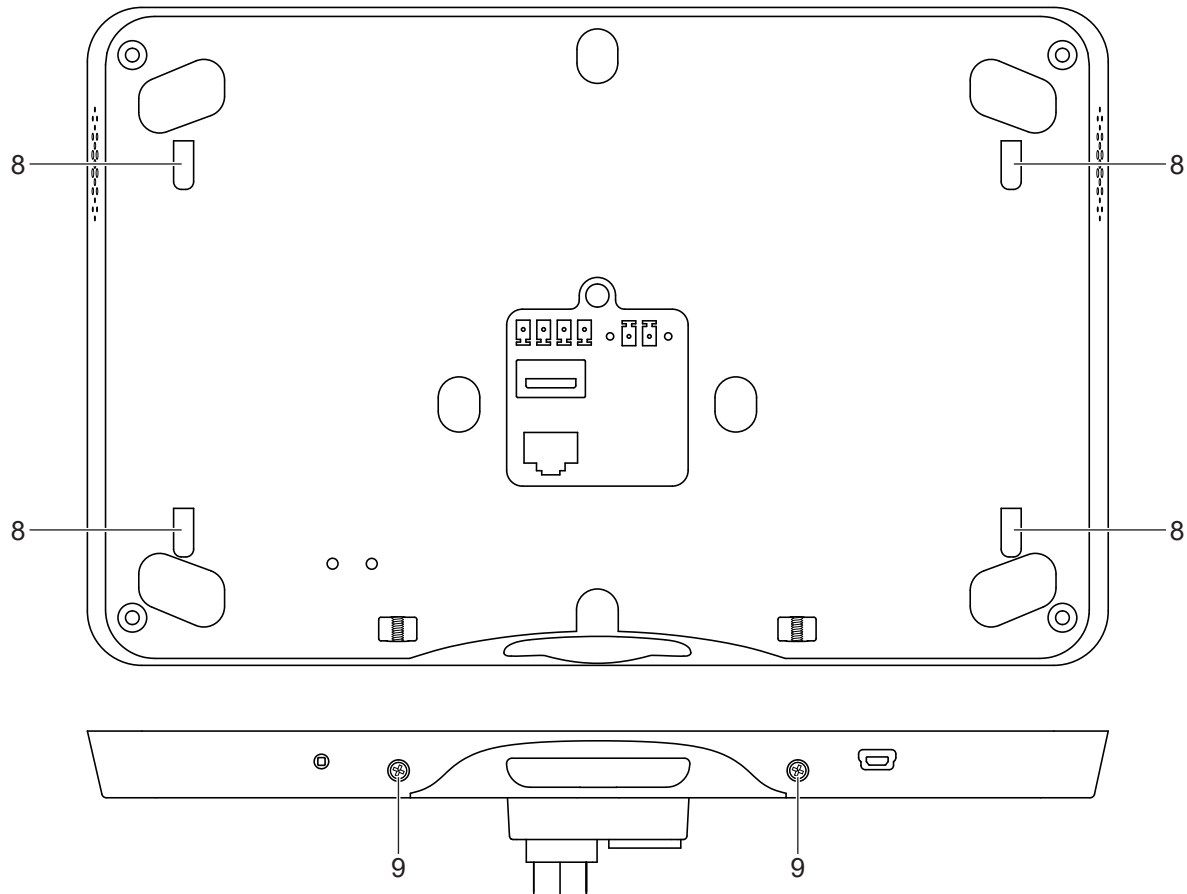


Fig. 4: Mounting of Smart Control

- 8 Openings for wall mounting
- 9 Smart Control locking screws

- Place the openings for wall mounting (8) on the Smart Control on the fixing hooks (2) on the adapter. (fig. 2 and fig. 4)
To do this, place the openings for wall mounting above the hooks and engage them downwards.
- Fasten the Smart Control to the adapter on the underside with a total of two locking screws (9). (fig. 4)

4 Commissioning

4.1 Switching on

After connecting, the device is switched on automatically and the operating system is started.
After the start-up process, you must make the settings for commissioning.

4.2 Settings – Overview of the menu structure

- General
 - Language
 - Date/time
- Design
- Display
- Advanced
 - System password

4.3 Opening the settings

- Select the JUNG logo in the main menu (JUNG Launcher).
Password entry opens.
- Enter the system password.
The default system password is "0000".
The settings open.

4.4 Selecting the language

- Open the settings.
- Select the menu "General".
- Select the submenu "Language".
Available languages are displayed.
- Select the language.
The language is selected.

4.5 Selecting date and time

- Open the settings.
- Select the menu "General".
- Select the submenu "Date/time".
- Make the settings:
 - autom. date/time: activated
 - autom. time zone: deactivated
 - select the time zone (e.g. GMT+2)
 - 24-hour format: activated

4.6 Changing the system password

- i** The system password grants access to all settings. The user password grants only limited access to the settings.
- Open the settings.
- Select the menu "Advanced".
- Select the "System password" submenu.
Password entry opens.
- Enter the current and new system password.
- Confirm passwords with the "OK" button.
The system password is changed.

4.7 Updating the firmware

Prerequisite: Internet connection

- Select the app "System update".
The app is started.
- Select "Search for updates online".
The firmware is updated automatically.

i If there is no Internet connection, a USB storage medium can be used to update the firmware.

5 Operation

5.1 Operating elements

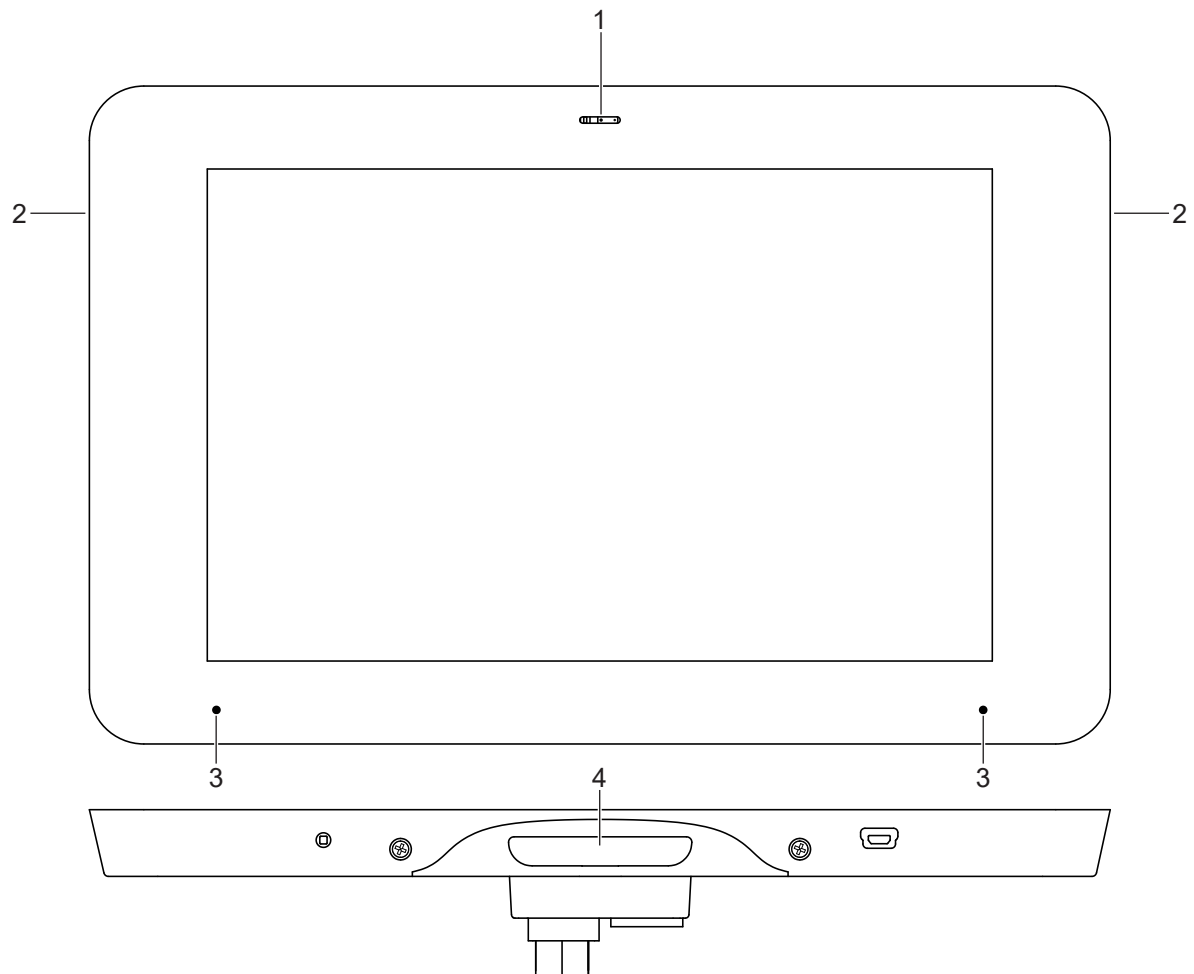


Fig. 5: Operation

	Name	Function
1	Proximity and brightness sensor	For the automatic switch-on of the display and automatic adjustment of the display brightness
2	Loudspeaker	To play signal tones
3	Microphones	To record speech
4	HOME button	To return to the main menu (JUNG Launcher) and switch the device off/on

Display main menu

- Press the HOME button briefly 1 x.
The main menu (JUNG Launcher) is displayed.

Switch device off/on

- Keep the HOME Button pressed for 5 seconds.
The operating system is powered down and the device switched off.
- Press the HOME button briefly 1 x.
The device is switched on and the operating system launches.

5.2 Control elements

Control elements are available for the operation and configuration of the device.

The control elements are not displayed in all the menu areas and apps and can be hidden as necessary.

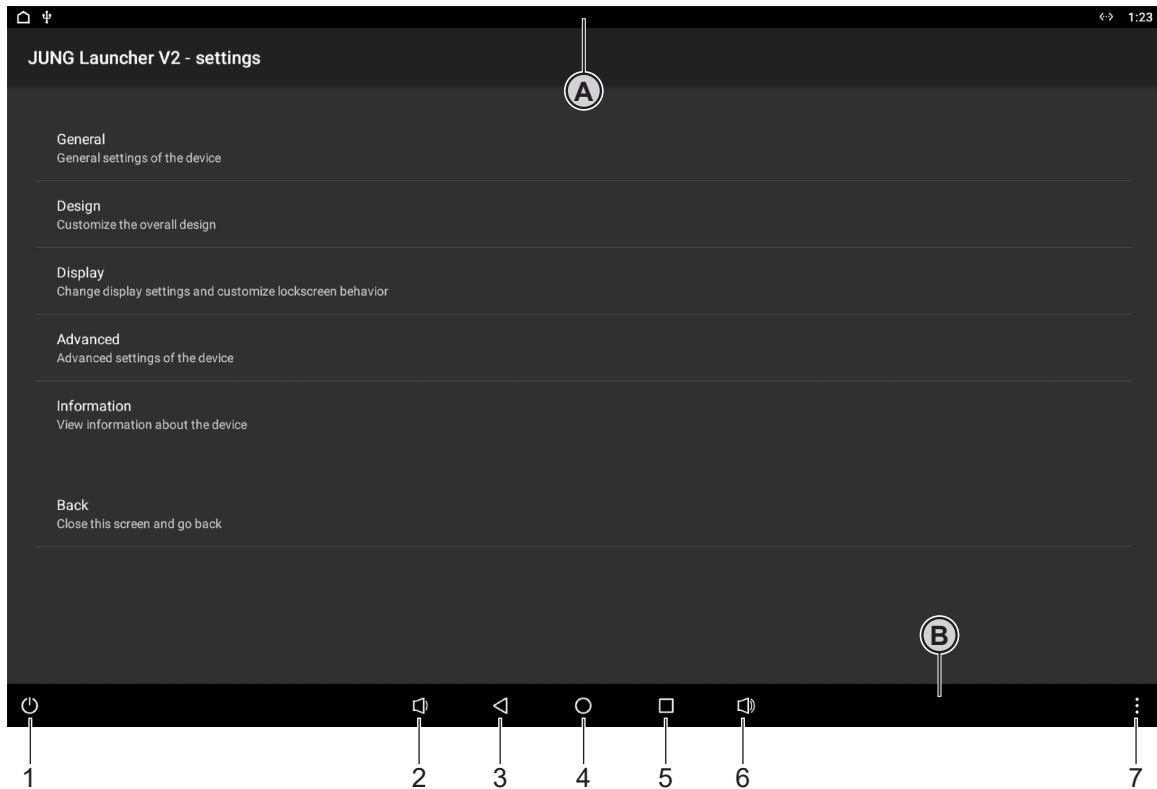


Fig. 6: Control elements

	Name	Function
A	Status bar	Display of the time Display of status messages of launched apps
B	Navigation bar	Contains basic control elements

1	Off/Restart	To restart or switch off the device
2	Quieter	To reduce the volume
3	Back	Goes back to the previous menu
4	Main menu	Goes directly to the main menu (JUNG Launcher)
5	App overview	Opens an overview of all launched apps
6	Louder	To increase the volume
7	Context menu	Opens the context menu

Opening the status bar

- Perform a swipe movement from the top edge of the touch screen to the centre
Status bar opens.

5.3 Device settings

Besides the settings for commissioning the device, additional device settings can be performed. The device settings can be opened in the main menu using the JUNG Launcher (see “Open settings” in the Commissioning chapter at page 8).

Overview of the menu structure

- General
 - Language
 - Date/time
 - Network and connectivity
 - Show navigation notification
 - Show navigation bar
 - Show virtual power button

- Design
 - Orientation
 - Theme
 - Background
 - Dashboard
 - App area

- Display
 - Display settings
 - Display power management
 - Display wake-up sensor settings
 - Adaptive brightness
 - Lockscreen

- Advanced
 - System password
 - User password
 - Welcome message
 - Autostart
 - Automatic reboot
 - App starter
 - Cache cleaner
 - App guard
 - App terminator
 - Support access
 - Config-Tool access
 - App management
 - Volume control
 - Memory
 - Account management

5.4 Operation using apps in the main menu

The device is operated via pre-installed apps.

The apps must be started via the main menu.

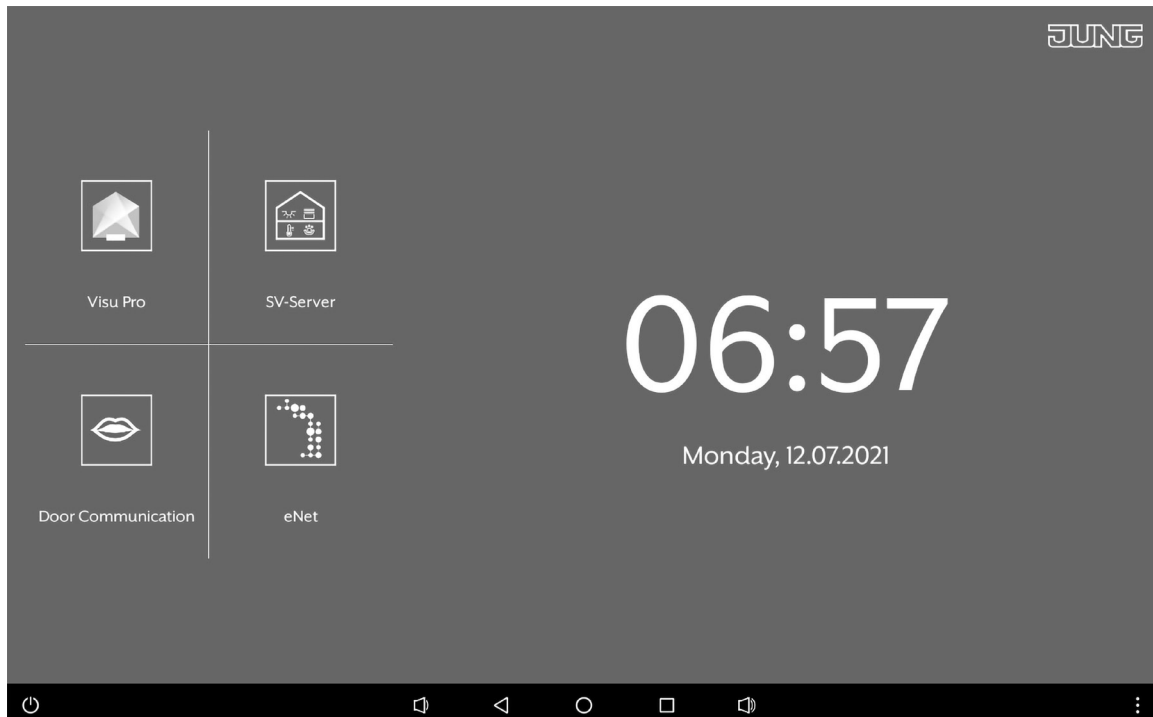


Fig. 7: Main menu (JUNG Launcher)

5.5 Apps for building automation

Software applications for building automation are already pre-installed on the device as apps.

Depending on the system used, only certain apps can be used.

The apps are used to visualise system states and to control individual components.

Pre-installed apps on the Smart Control 8:

- JUNG Visu Pro
- JUNG Smart Visu Server
- Door communication
- eNet Smart Home

These apps are just working with additional hardware and software.

For more information about apps see the product documentation of the specific device. The product documentation can be downloaded from our website.

i The device is supplied with all the apps required to control the building automation. No apps from other third parties should be installed. JUNG cannot guarantee that external apps will function on the device under all circumstances. A third-party app which does not function does represent grounds for a complaint.

5.6 Create app link in the main menu

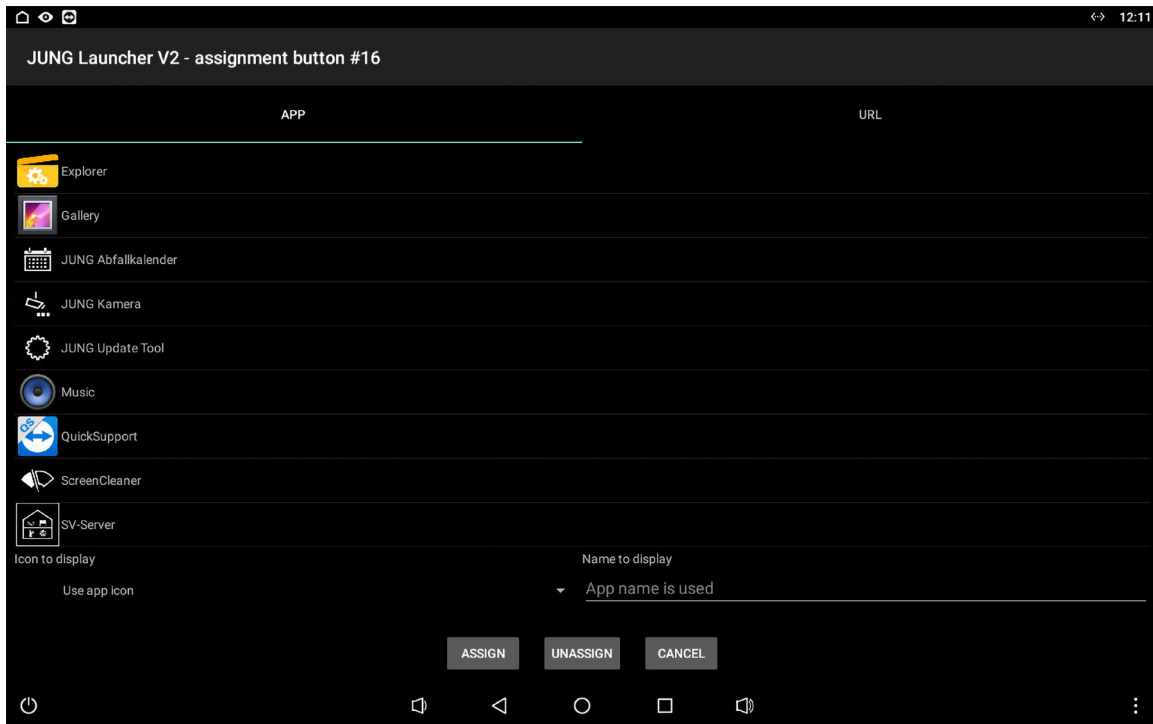


Fig. 8: Create app link in the main menu

- Touch an area/tile in the main menu for a long period of time.
The app list is displayed.
- Select an app.
A query regarding the icon and name opens.
- Change or keep the icon and name.
- Confirm the settings using the “Assign” button.
The app link is displayed in the main menu.

5.7 App “System Update“

5.7.1 Restoring default settings

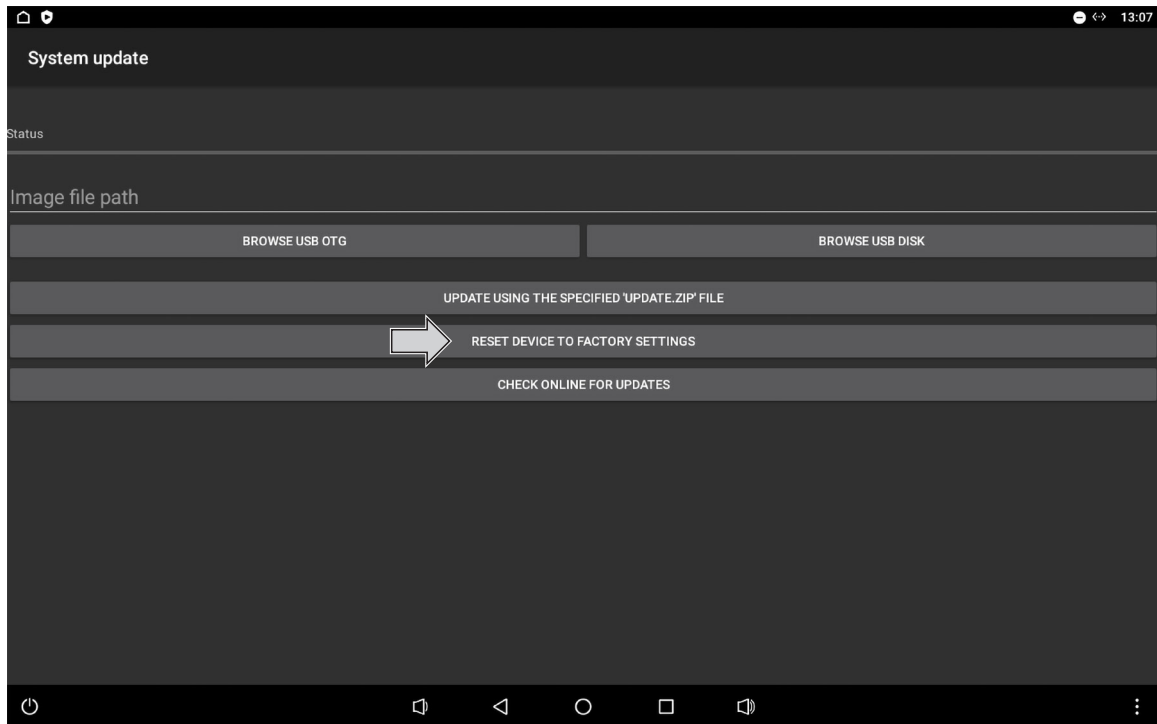


Fig. 9: System Update – Restore default settings

- Select app “System Update“ in the main menu.
App starts.
- Select “Reset device to factory settings“.
Request about restoring the default settings opens.
- Confirm restoring with button “OK“.
Default settings are restored.

5.7.2 Updating the firmware without internet connection

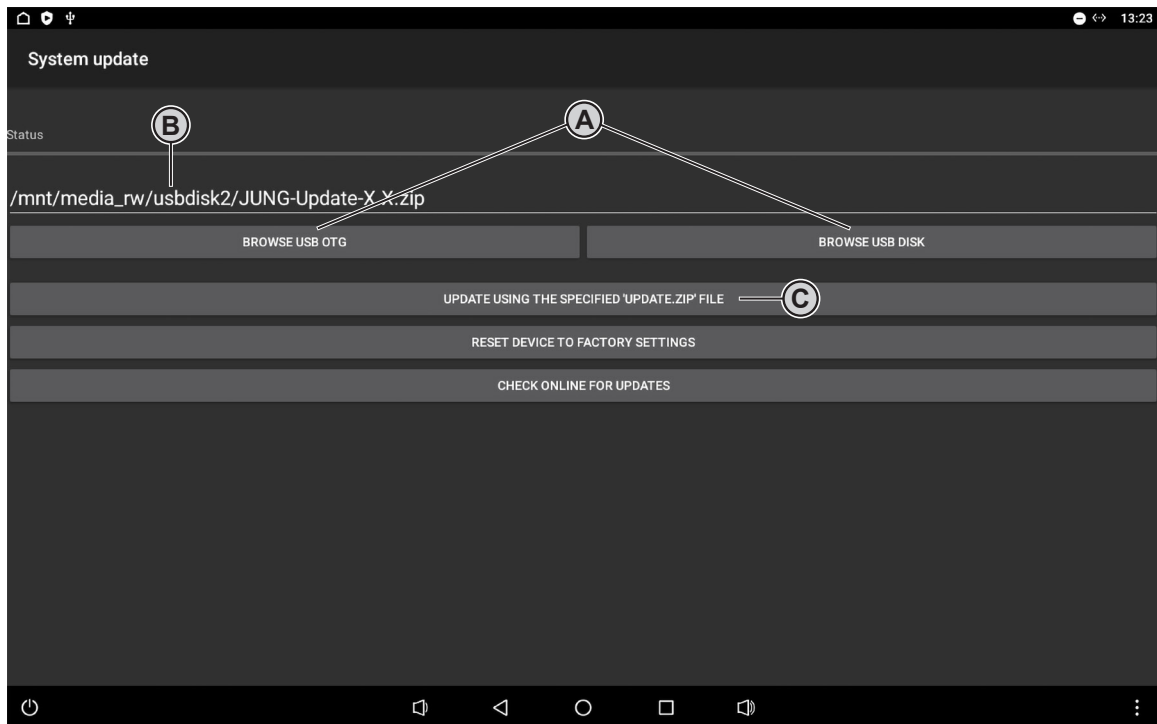


Fig. 10: System Update – Update firmware without internet connection

i Check firmware version in “Settings” menu.

Requirements:

- USB data storage with FAT32 file system
- Data files for update on USB data storage device
- USB data storage device in USB connection
- Select app “System Update” in the main menu.
App starts.
- Select “Browse USB OTG” or “Browse USB disk” (A).
Data files are shown.
- Select update file in zip format.
Path to the update file is applied (B).
- Select “Update using the specified ‘update.zip’ file” (C).
Firmware is updating.

6 Cleaning

i The cleaning mode is started with the “Screencleaner” app.

Suitable cleaning agents:

Water, degreaser, glass cleaner, alcohol and isopropyl alcohol

Not suitable for cleaning:

Abrasive cloths or harsh detergents

- Start the cleaning mode or switch off the device to lock the touch screen.
- Apply cleaning agent or water to a cloth.
Do not apply directly to the device.
- Clean the front with a cloth.
Cleaning agent must not get into the device.
- Switch the device on again after cleaning or wait for the cleaning mode to end automatically after 30 seconds.

7 Technical data

Screen diagonal	203 mm / 8"	
Resolution	1280 x 800 (WXGA)	
Aspect ratio	16:10	
Overall dimensions (W x H)	Smart Control Adapter	225 x 145 mm 216 x 141 mm
Structure height	16 mm	
Installation depth	22 mm	
Power consumption	max. 16 W	
Power supply	DC 12 ... 32 V SELV via external power adapter	
Operating system	Android 6	
Processor	Cortex-A53	
Main memory	2 GB	
Mass storage	16 GB Flash	
USB connection	1 x USB 2.0 type A 1 x Mini-USB OTG	
LAN connection	1 x 10/100/1000 Mbit/s	
Ambient temperature	0 ... +30 °C	
Atmospheric humidity	5 ... 80 % (no moisture condensation)	

8 Accessories

Power supply adapter	NT 2415 REG VDC
Installation box	EBG 24 SC 7 EBG

9 Warranty

The warranty follows about the speciality store in between the legal framework as provided for by law.